

OF-4715KL 05WB30E

DC orientable fan

> CONTATTACI



The swivelling fans can be adjusted to cool down particularly hot spots and ensure a good distribution of air inside the electrical panel. It was designed together with a metal support to facilitate installation in vertical or horizontal positions, depending on the need.

Technical data		
APPROVALS		
Approvals	CE	
PERFORMANCE		
Max Airflow	184	m ³ /h
	108	CFM
Max Static Pressure	68	Pa
	0.27	in H ₂ O
RPM	2950	RPM
ELECTRICAL DATA		
Rated Voltage	24	V d.c.
Rated Current	0.4	A
Rated Power	9.6	W
Operating Voltage	10-27.6	V d.c.
Insulation Class	A	
Motor Protection	Electronically Protected	
MECHANICAL DATA		
Bearing	Ball Bearing	
GENERIC DATA		
Casing Material	Plastic UL94-V0	
Life Expectancy	100000	h at 25 °C
	100000	h at 77 °F
Airflow Direction	Air intake over brackets	

Image is for illustrative purpose only. All specifications, data and drawing are subject to change without notice. Please refer to our terms of sales including our warranty and limited liabilities cla

OF-4715KL 05WB30E

DC orientable fan

> CONTATTACI

VENTILATION SYSTEMS

Technical data		
Electrical Connection	Screwless Terminal Block	
Fan Noise	42.5	dB(A)
Fixing System	Screws	
ENVIRONMENTAL AND THERMAL DATA		
IP Protection Degree	IP20	
Operating Temperature	-10÷70	°C
	14÷158	°F
Storage Temperature	-40÷70	°C
	-40÷158	°F

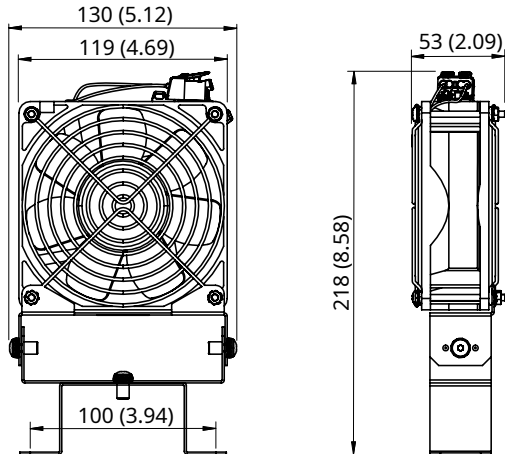
Image is for illustrative purpose only. All specifications, data and drawing are subject to change without notice. Please refer to our terms of sales including our warranty and limited liabilities cla

OF-4715KL 05WB30E

DC orientable fan

> CONTATTACI

Technical drawing mm (in)



Air Performance

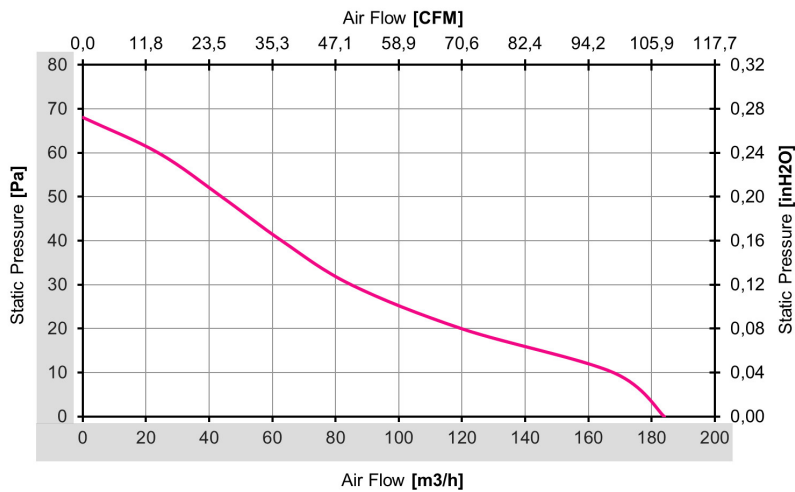


Image is for illustrative purpose only. All specifications, data and drawing are subject to change without notice. Please refer to our terms of sales including our warranty and limited liabilities cla